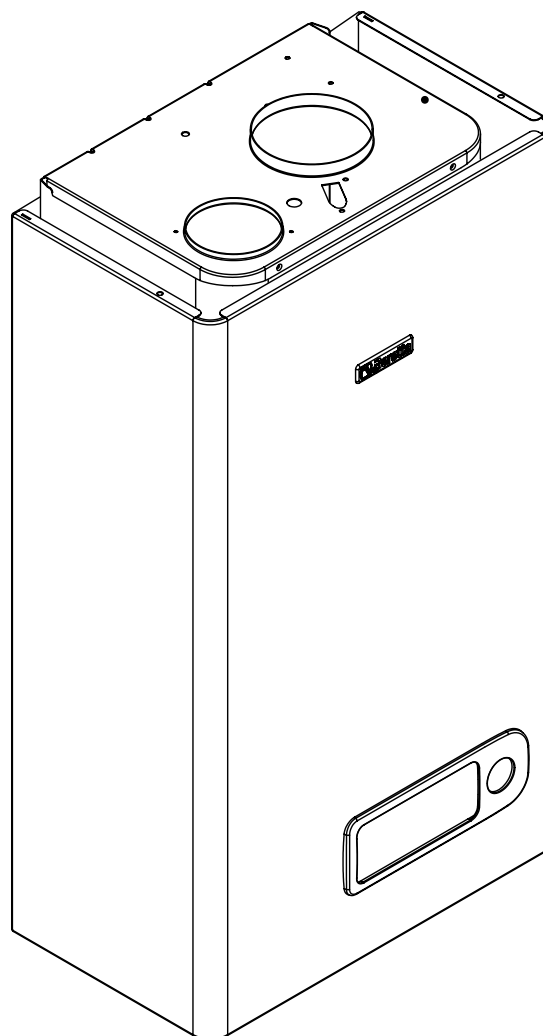
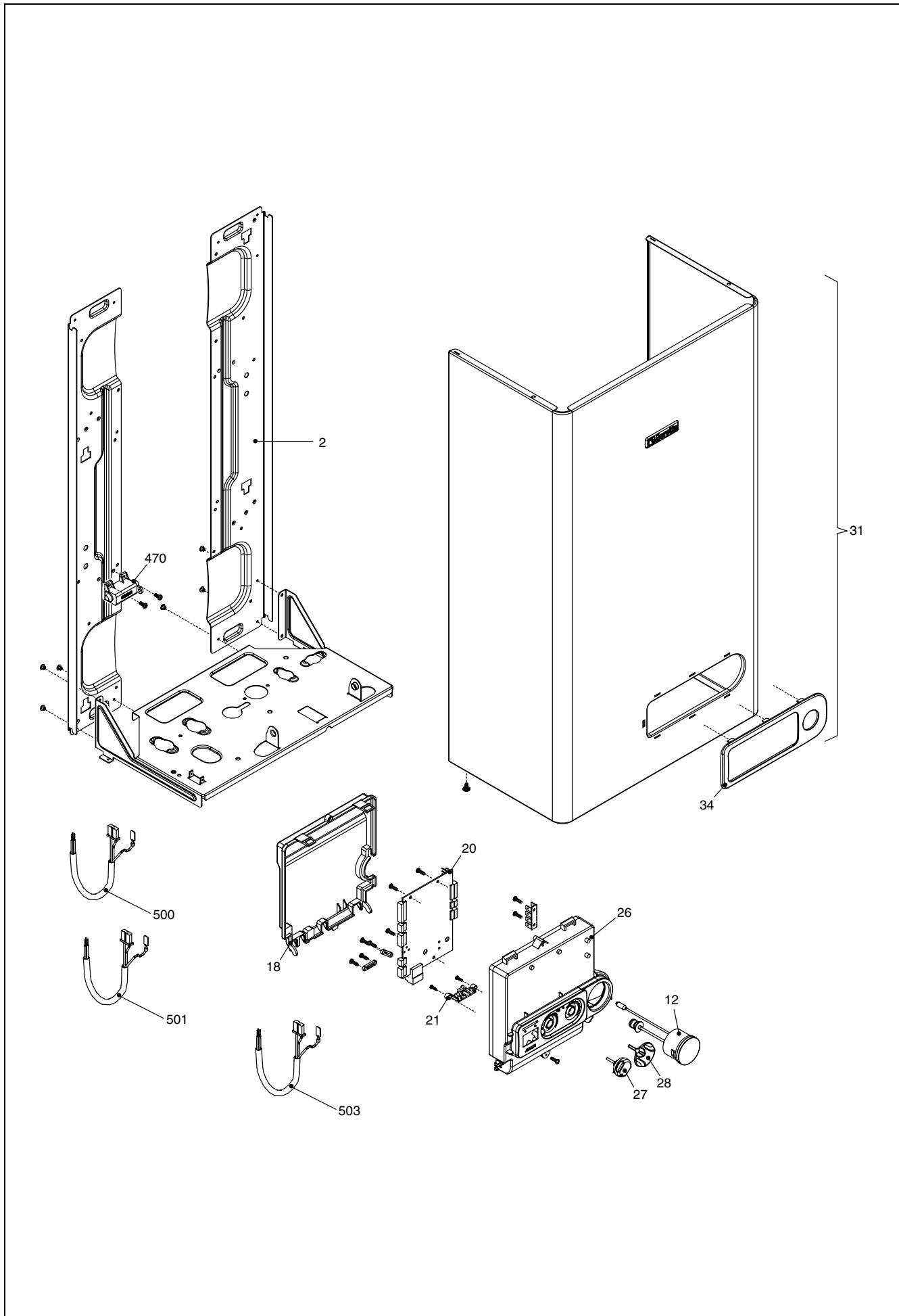


Wall hung boilers

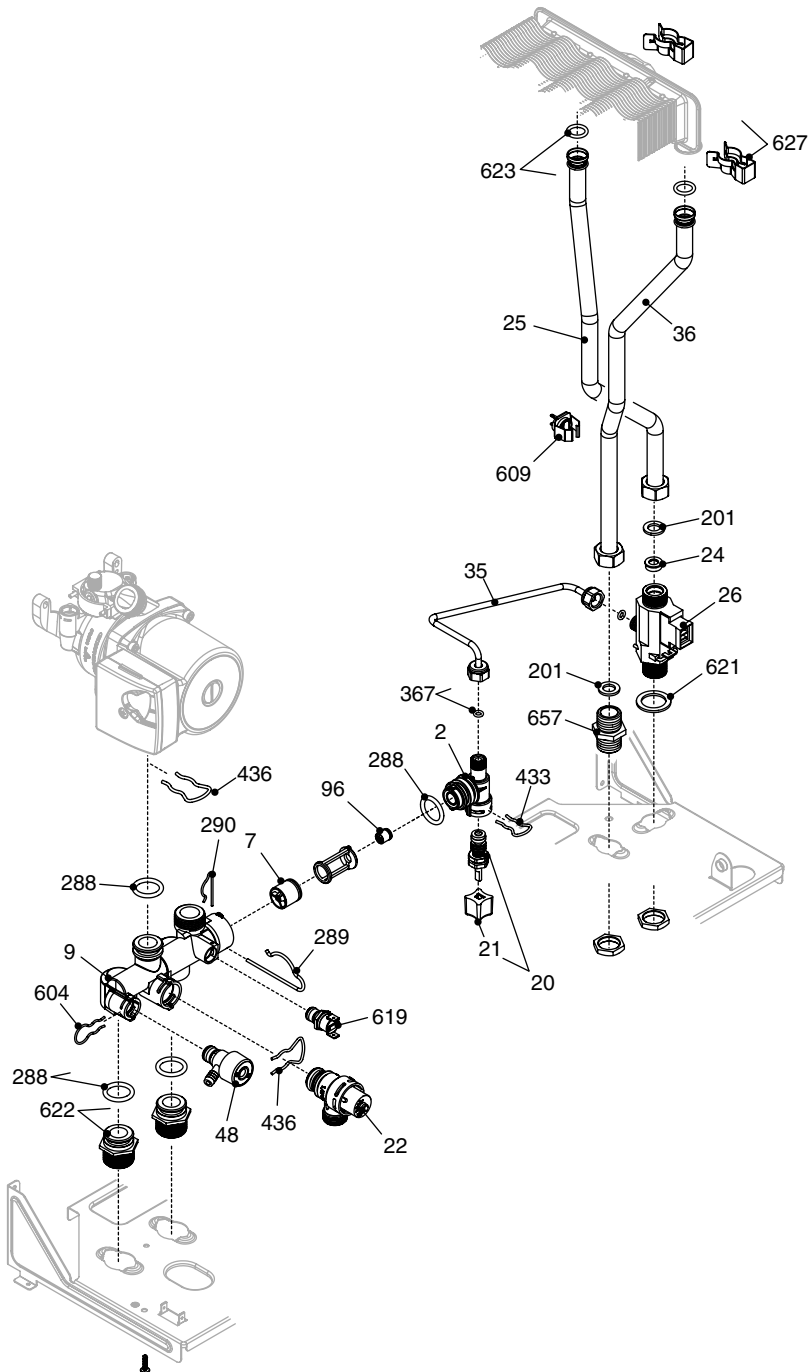
JUNIOR



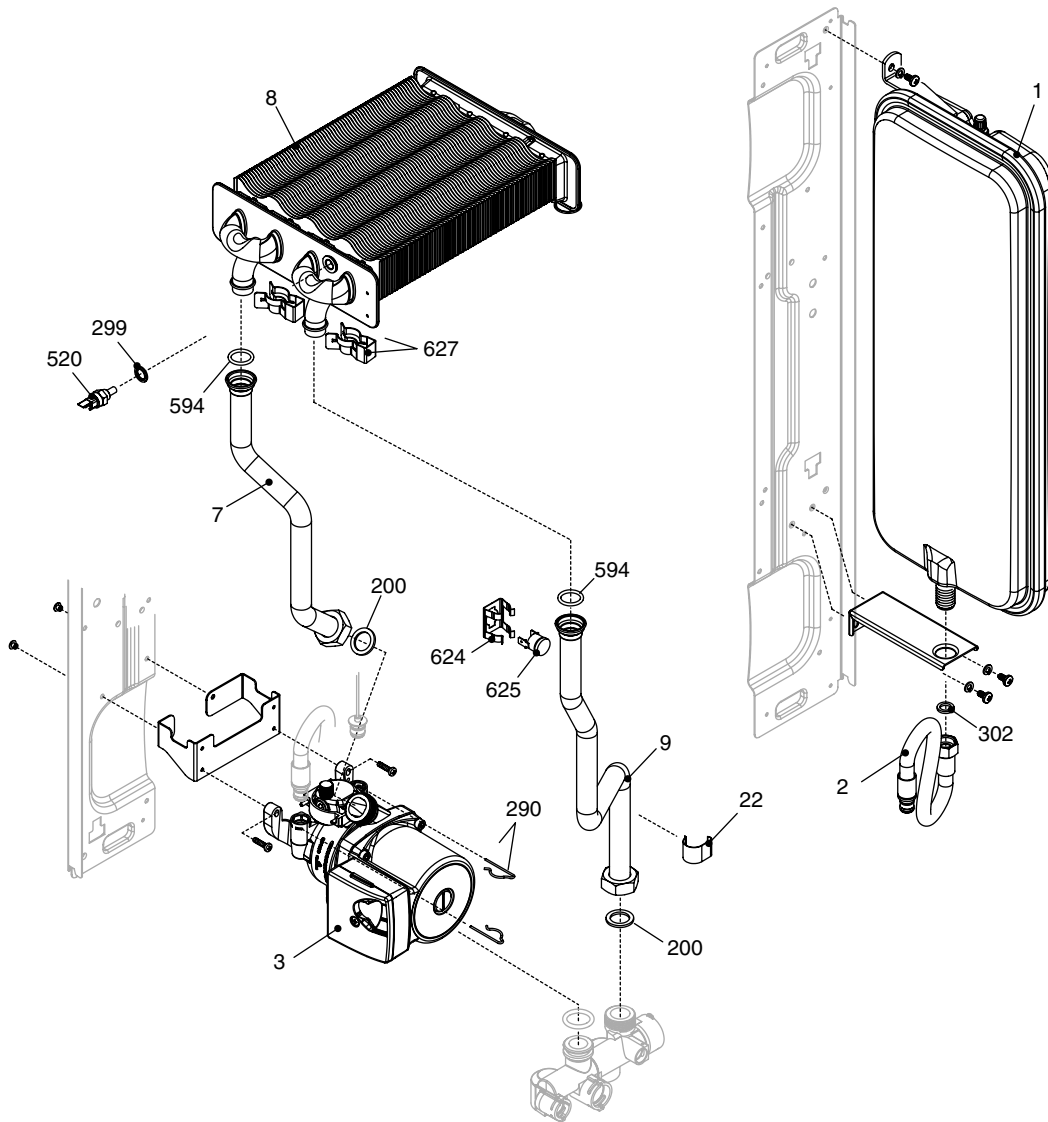
MODEL	PART NUMBER	
	MTN	GPL
Junior 24 CSI	20008669 (E3L)	20008670 (E4L)



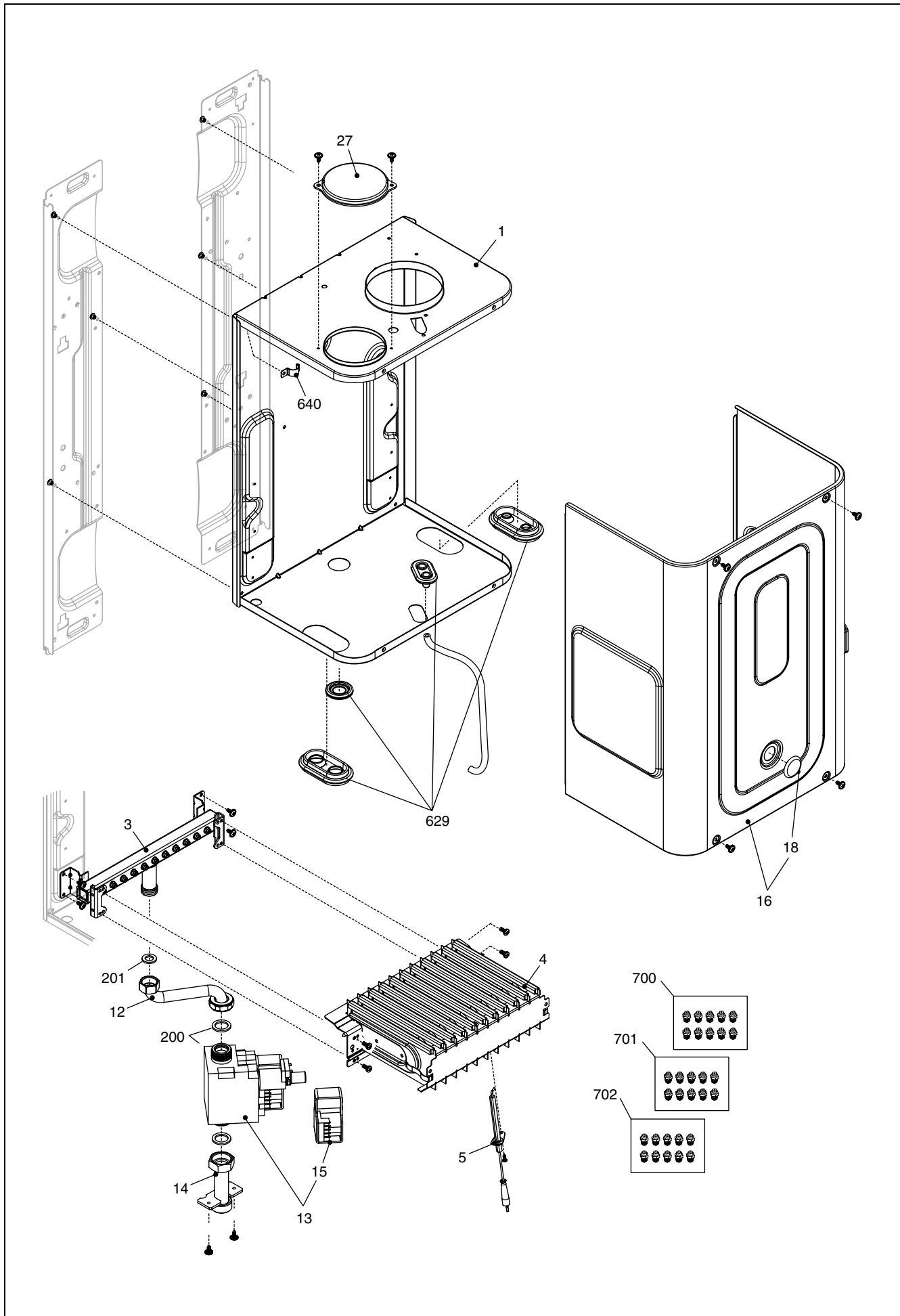
POS.	DESCRIPTION	24csi
2	Frame	20005591
12	Quick primer pressure gauge	20011061
18	Cover	20005574
20	Printed circuit board MP08	20005569
21	Led light guide	20013352
26	Instrumental panel	20013351
27	Knob	20005579
28	Knob	20005575
31	Case Assembly	20011046
34	Fixing flange	20005583
470	Ignition transformer TR6	R10026031
500	Low tension cable	20005571
501	Power wiring harness	20005572
503	Cable	R1547



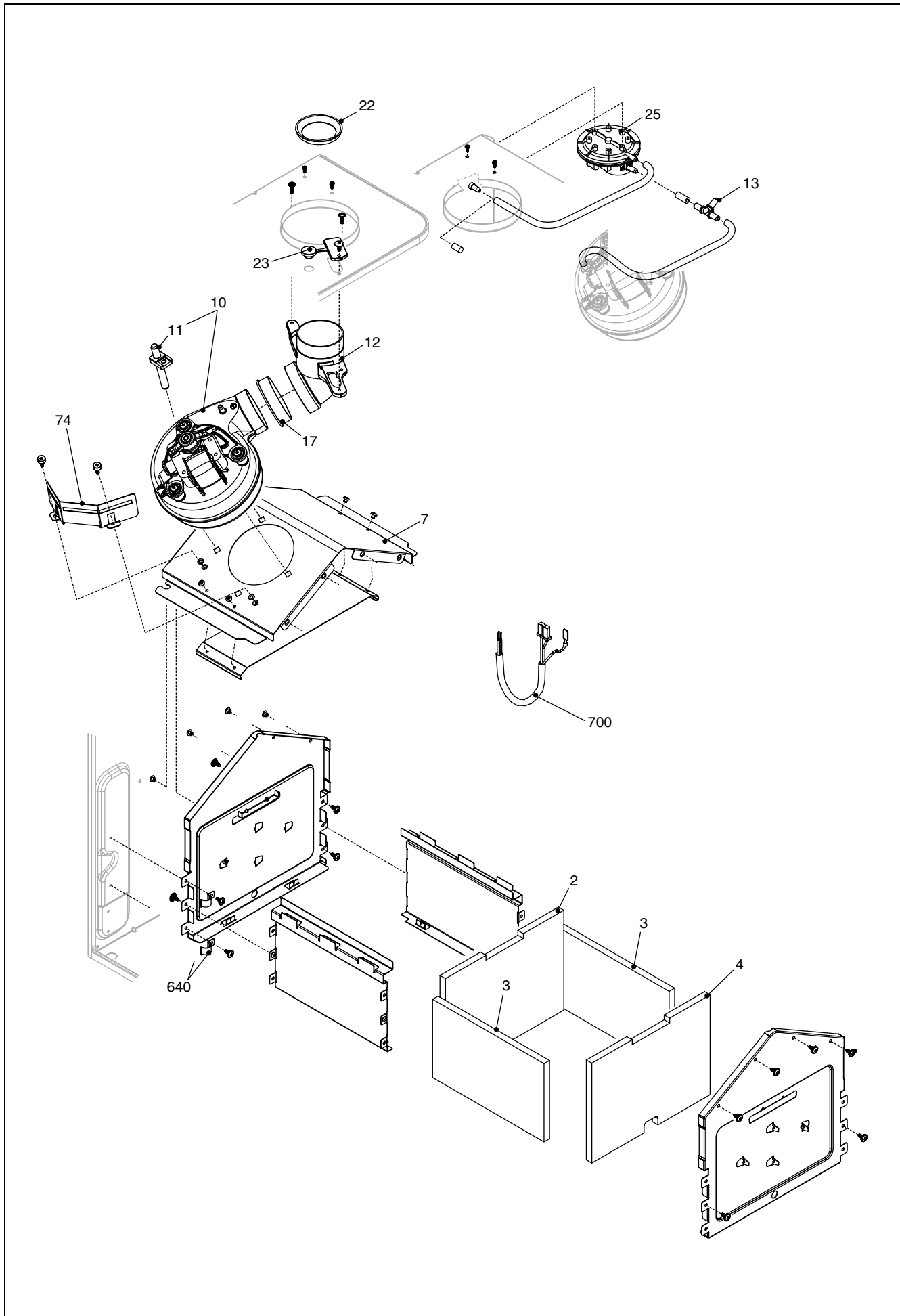
POS.	DESCRIPTION	24csi
2	Hydraulic group	20005581
7	Heating by-pass valve	20007783
9	Heating distrib.	20005568
20	Filling cock	R10025060
21	Filling cock knob	R6889
22	Safety valve	R10025055
24	Flow governor	R10024987
25	Pipe	20005556
26	Dhw actuator	R10022752
35	Pipe	20005567
36	Pipe	20005557
48	Cock	20000533
96	Non return valve	R10021625
201	Washer	R5026
288	Ring	R6898
289	Clip	R2223
290	Clip	R2165
367	O ring	R8542
433	Clip	R10024986
436	Clip	R10025062
604	Clip	20000539
609	Detector	20000713
619	Pressure	20003181
621	Washer	R5038
622	Connection	20014064
623	O ring	20005566
627	Spring pipe	20005546
657	Connection	20011043



POS.	DESCRIPTION	24csi
1	8 lt. expansion vessel	20024419
2	Pipe	R10028603
3	Pump 4 mt.	R10027571
7	Pipe	20005559
8	Heat exchanger	20005544
9	Pipe	20005558
22	Clip	R3412
200	Washer	R5023
290	Clip	R2165
299	Washer	R10022726
302	Washer	R5025
520	NTC sensor	20004832
594	O ring	20000131
624	Clip	R5472
625	High limit thermostat	20005585
627	Spring pipe	20005546



POS.	DESCRIPTION	24csi
1	Air box bottom	20011047
3	Collector	20005584
4	N.G. burner	20005551
5	Spark / ignition electrode	R10025985
12	Gas pipe	20005554
13	Gas valve	20007784
14	Gas pipe	20005553
15	Gas valve solenoid	R10020838
16	Combustion chamber cover	20005594
18	Glass	2005550
27	Hole cover	20005586
200	Washer	R5023
201	Washer	R5026
629	Kit cable grommet	20005595
640	Clip	20011042
700	G20 conversion kit	20019506
701	LPG conversion kit	20019507
702	G25 conversion kit	R01005508



POS.	DESCRIPTION	24csi
2	Back insulatin panel	20005561
3	Insulation panel	20005562
4	Front insulation panel	20005560
7	Flue draught diverter	20005596
10	Fan	20005543
11	Pressure tube	20021548
12	Fumes connection	20011048
13	Signal amplifier	20025687
17	Washer	20005552
22	Flange Ø 42	R10027845
22	Flange Ø 44	R10021730
23	Plug	20005549
25	Pressure switch	R10023908
74	Fan support kit	20021597
640	Clip	20011042
700	Wiring harness	20021583

Rev.	data	Descrizione
1.0	06/07/09	E00120090209 : cablaggio
2.0	19/11/09	Aggiunte trasformazioni
3.0	04/02/2010	E00120090680 : staffa ventilatore – Inserita presa pressione ventilatore E00120090668 : cablaggio ventilatore
4.0	15/06/2010	E00120100083 : amplificatore segnale – E00120100139 : vaso espansione

