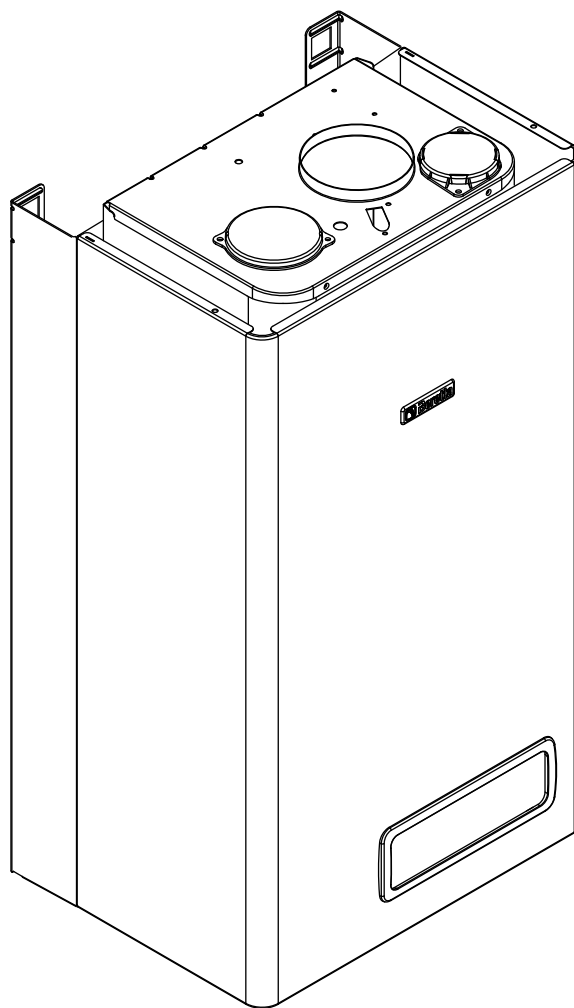
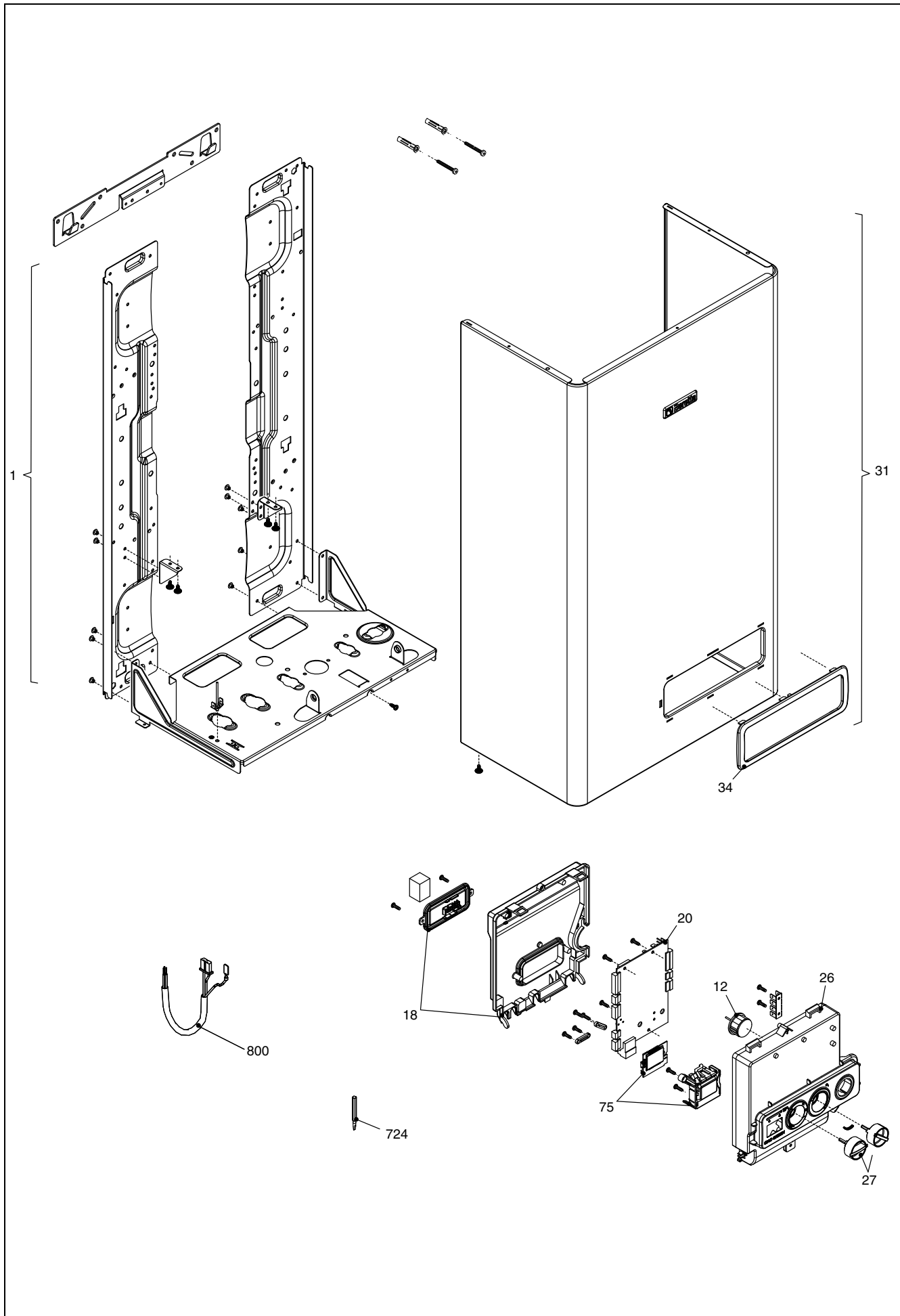


Wall hung boilers

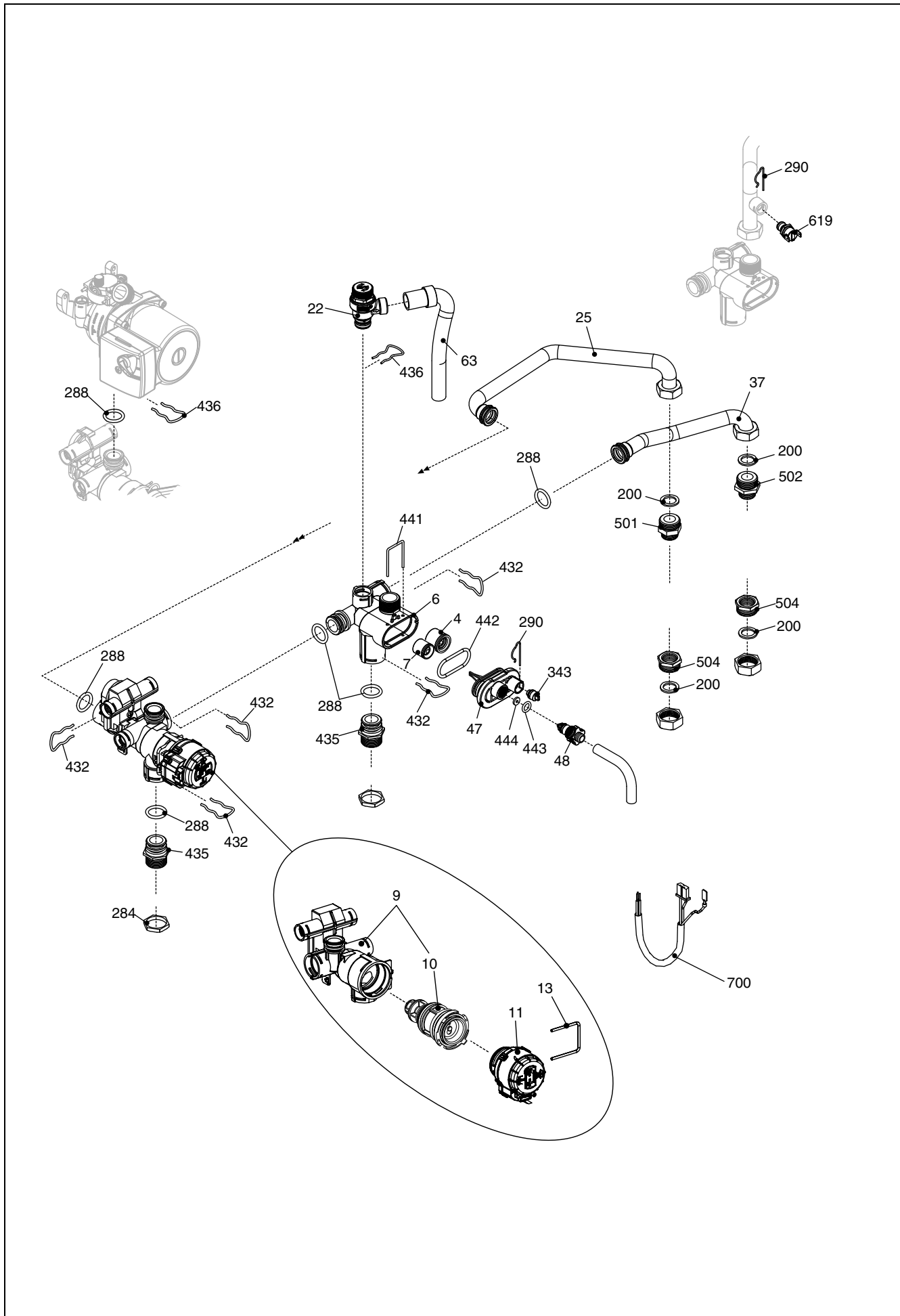
Ciao Green 25 RSI



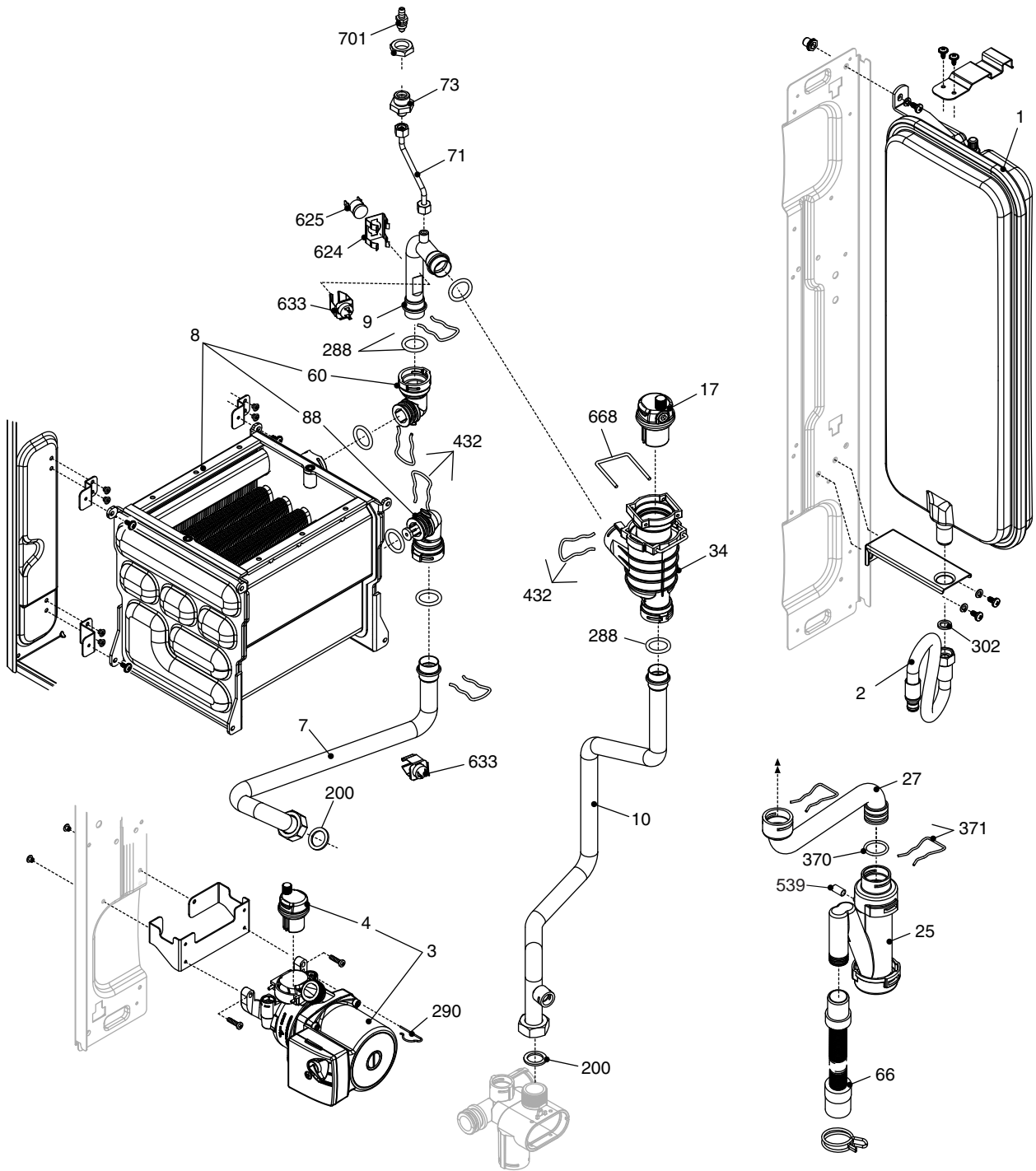
MODEL	PART NUMBER	
	MTN	GPL
Ciao Green 25 RSI	20062776 (K5Y)	-



POS.	DESCRIPTION	25rsi
2	Frame assembly	20049618
12	Quick primer pressure gauge	20049617
18	Control panel cover	20026055
20	Printed circuit board	20069541
26	Instrumental panel	20063634
27	Knob	20028780
31	Case Assembly	20049621
34	Fixing flange	20049610
75	Card reader kit	20069514
724	Calibration screwdriver	R2455
800	Low tension cable	20041739
800	Power wiring harness	20005572
800	Wiring harness	20011449
800	Cable	R1547

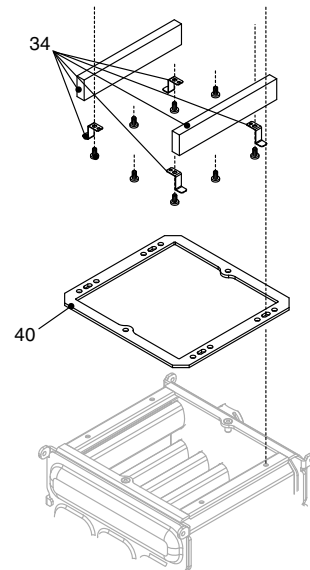
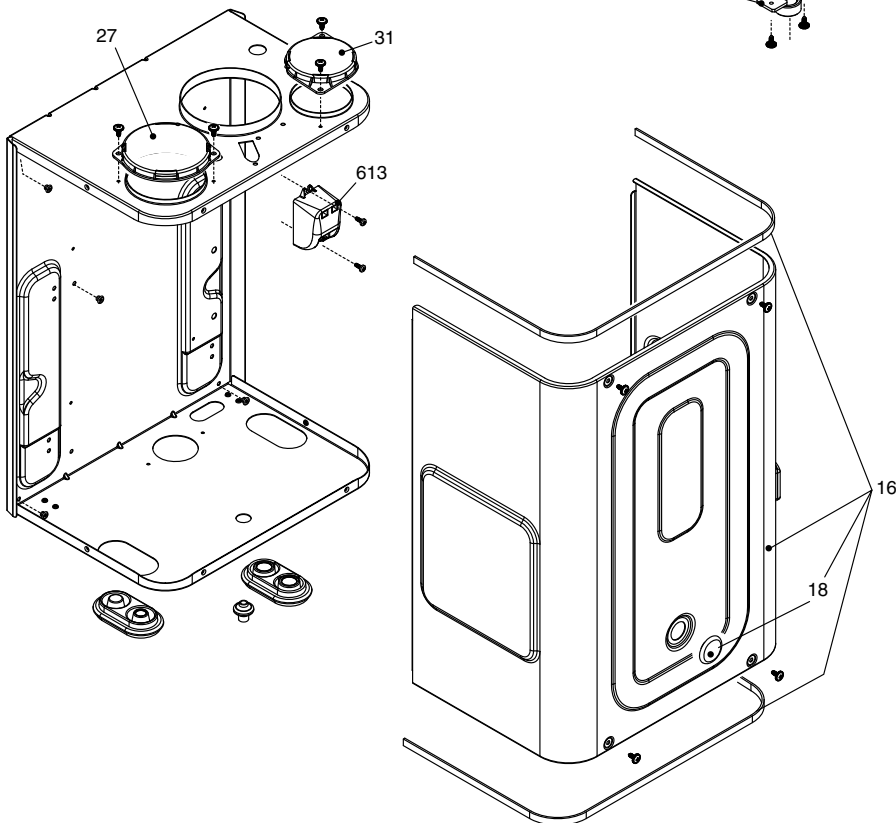
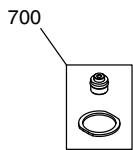
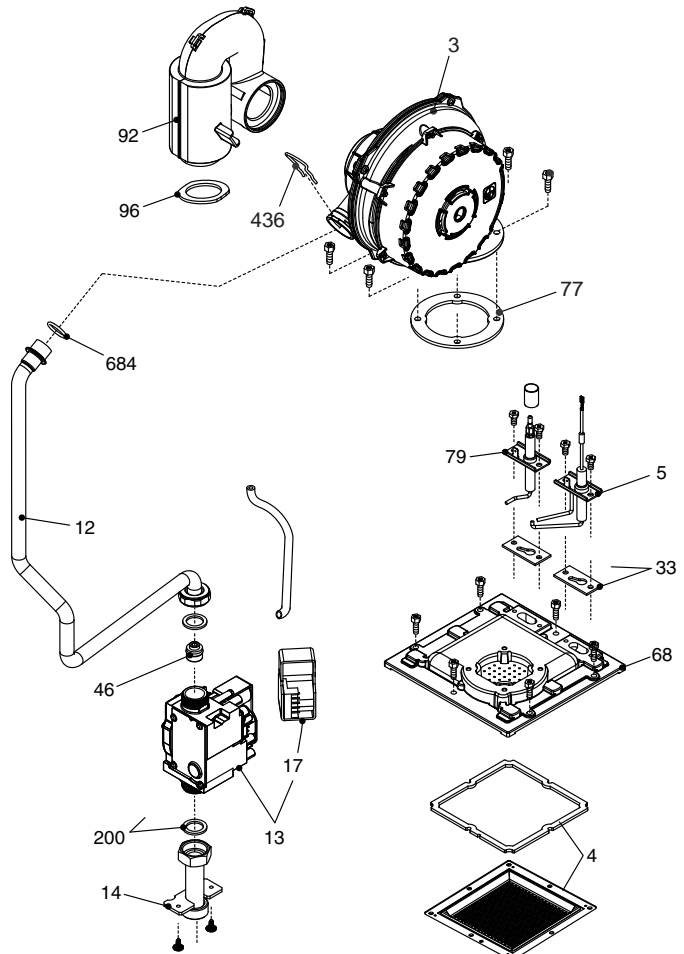
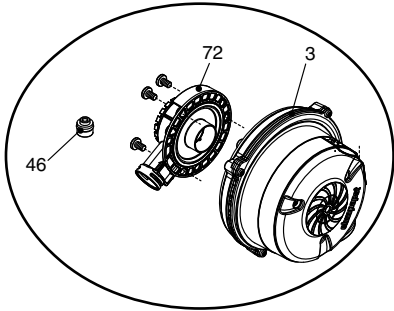


POS.	DESCRIPTION	25rsi
4	Non return valve	R10025056
6	By-pass casing	R10024641
7	By-pass valve	R1552
9	Valve with cartridge	20024204
10	Cartridge	20043594
11	Actuator	20017594
13	Clip	20017598
22	Safety valve	20043820
25	Pipe	20012543
37	Pipe	20041741
47	Cover for by-pass assembly	R10024643
48	Cock	R10024646
63	Pipe	R10025058
200	Washer	R5023
288	Ring	R6898
290	Clip	R2165
343	Pump plug	R2216
432	Clip	R10024958
435	Fitting/union	R10025059
436	Clip	R10025062
441	Clip	R10025063
442	O ring	R10025065
443	O ring	R10025064
444	Washer	R10025066
501	Nipple	R10026914
502	Nipple	R10026915
504	Fitting/union	R10026916
619	Pressure	20003181
700	Hydraulic control cable	20017596

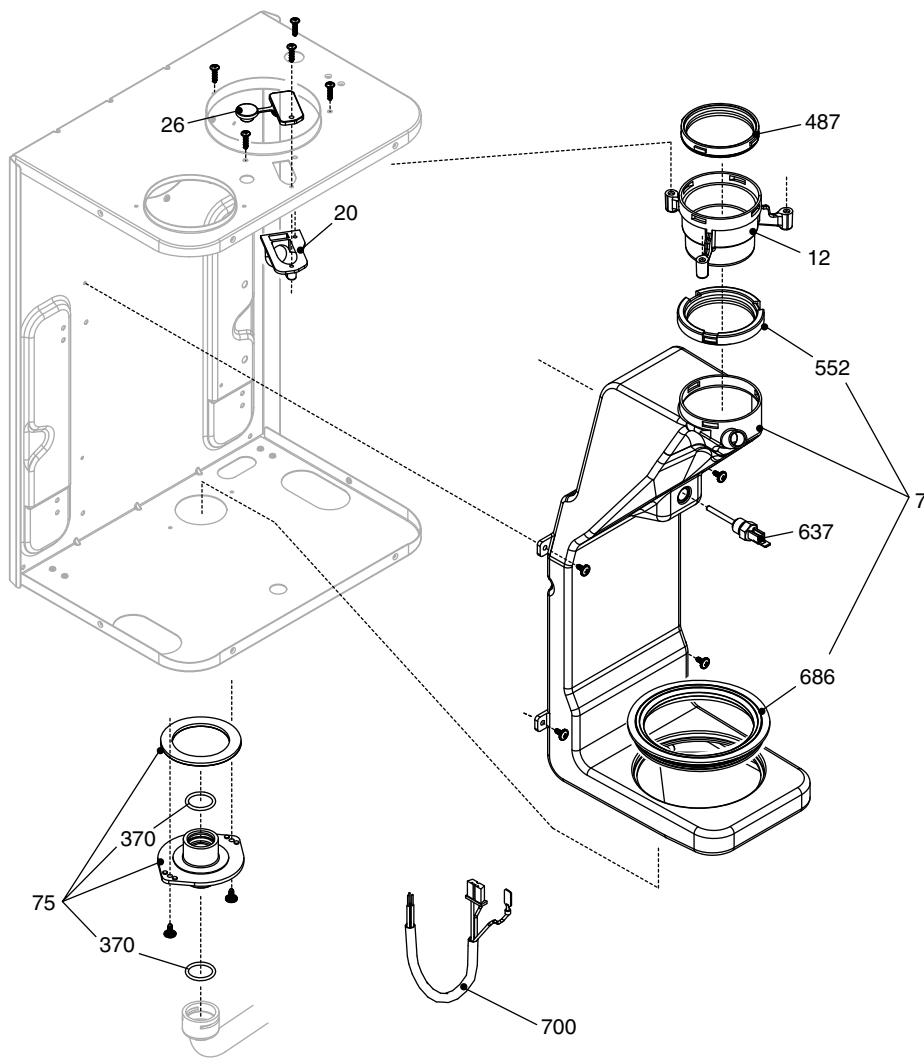


POS.	DESCRIPTION	25rsi
1	Expansion vessel	20029826
2	Pipe	R10028603
3	Pump Kit	20039926
4	Air vent bottle	R10025485
7	Pipe	20025763
8	Condensing exchanger assembly	20039923
9	Pipe	20025764
10	Pipe	20025744
17	Air vent valve	20019768
25	Siphon	20025733
27	Condensation outlet tube kit	20025743
34	Degasser kit	20019888
60	Connection	20039953
66	Flexible pipe	R10027545
71	Pipe	20025746
73	Cock	R10028431
88	Connection	20039954
200	Washer	R5023
288	Ring	R6898
290	Clip	R2165
302	Washer	R5025
370	O ring	R10023533
371	Clip	R10023532
432	Clip	R10024958
539	Plug	R10028002
624	Clip	R5472
625	High limit thermostat	20005585
633	NTC Detector	20078350
668	Clip	20019767
701	Vent plug	R10023235

up to serial number
 \leq K5YJ0459999



POS.	DESCRIPTION	25rsi
3	Fan (\leq K5YJ0459999)	20002995
3	Integrated fan (\geq K5YJ0550001)	20081316
4	Burner	20044892
5	Ignition electrode	20025737
12	Pipe	20025745
13	Gas valve	20039202
14	Gas pipe	20005553
15	Gas valve solenoid	20040675
16	Combustion chamber cover	20005594
18	Plug	20005550
27	Hole cover	20005586
31	Hole cover	20049606
33	Seal ignition electrode	20025740
34	Protection	20044890
40	Washer	20044894
46	Gas diaphragm (\leq K5YJ0459999)	R2353
46	Gas diaphragm (\geq K5YJ0550001)	R10025461
68	Cover	20044895
72	Mixer (\leq K5YJ0459999)	20025761
77	Washer	20025753
79	Detector electrode	20043523
92	Suction pipe	20025760
96	31mm diaphragm	20041058
200	Washer	R5023
436	Clip	R10025062
613	Ignition transformer	20001563
680	Washer	20024869
700	Ng conversion kit (\leq K5YJ0459999)	20045568
700	Ng conversion kit (\geq K5YJ0550001)	20082915
700	LPG conversion kit (\leq K5YJ0459999)	20045569
700	LPG conversion kit (\geq K5YJ0550001)	20082917
700	G230 Conversion kit	20068964



POS.	DESCRIPTION	25rsi
7	Conveyor	20026060
12	Flue drain connection	R10028421
20	Outlet nut	20026049
26	Plug	20026058
75	Flue clector	20026056
370	O ring	R10023533
487	Washer Ø 60	R10026345
552	Washer Ø 60	R10028426
637	Flue sensor	20007050
686	Washer	20026059
700	Combustion cable	20025736

Rev.	data	Descrizione
1.0	29/03/2013	Aggiunte trasformazioni gas
2.0	15/04/2013	E00120130284 : scheda visualizzatore
3.0	21/11/2013	E00120130840 : ventilatore integrato – Aggiunto tappo sifone
4.0	13/05/2014	Corretto disegno cartuccia valvola 3vie – E00120140131 : scheda gestione Aggiunte trasformazioni gas e matricole per ventilatore integrato



Beretta reserve the right to change the specifications without prior notice.
Consumers' statutory rights are not affected.